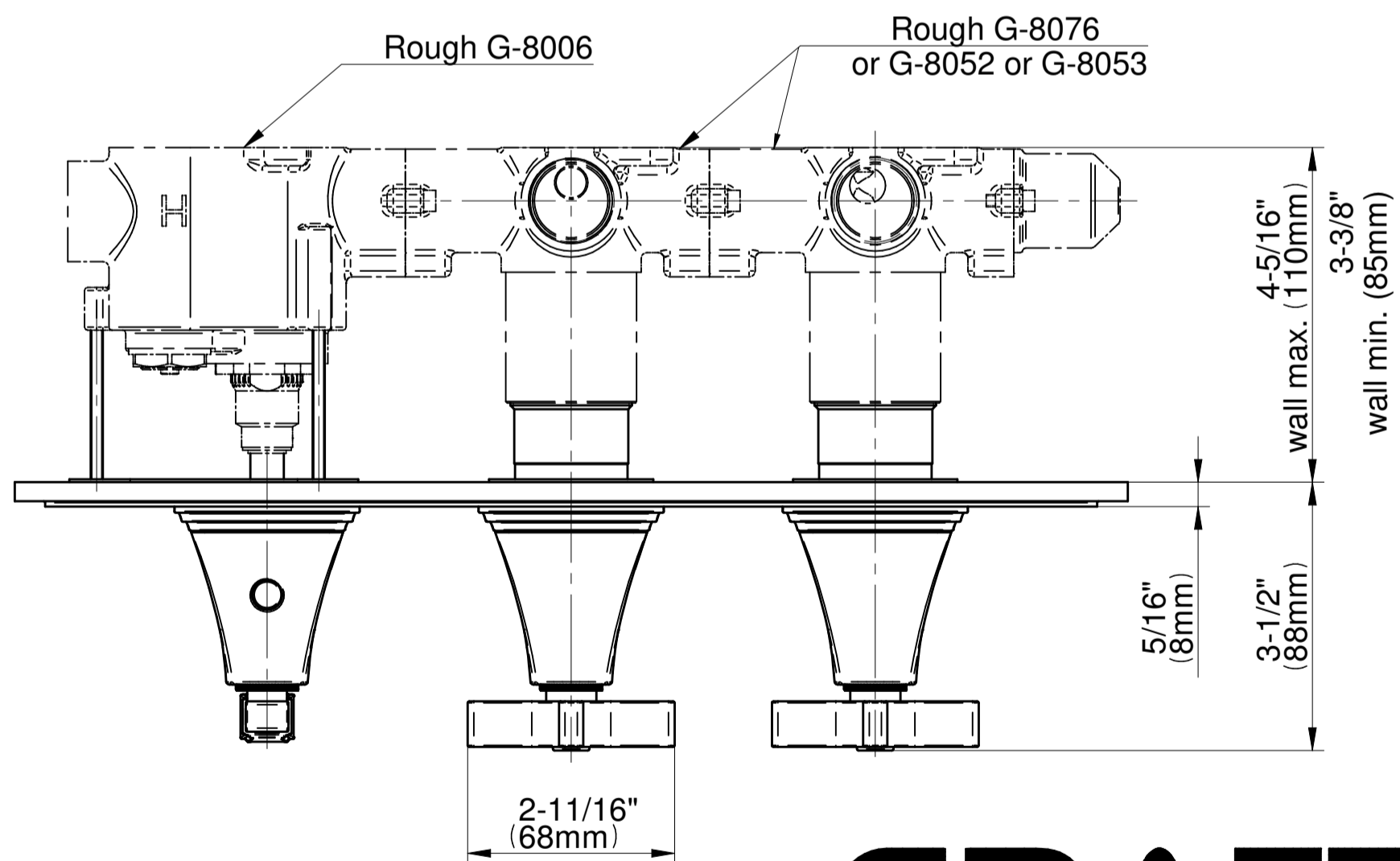
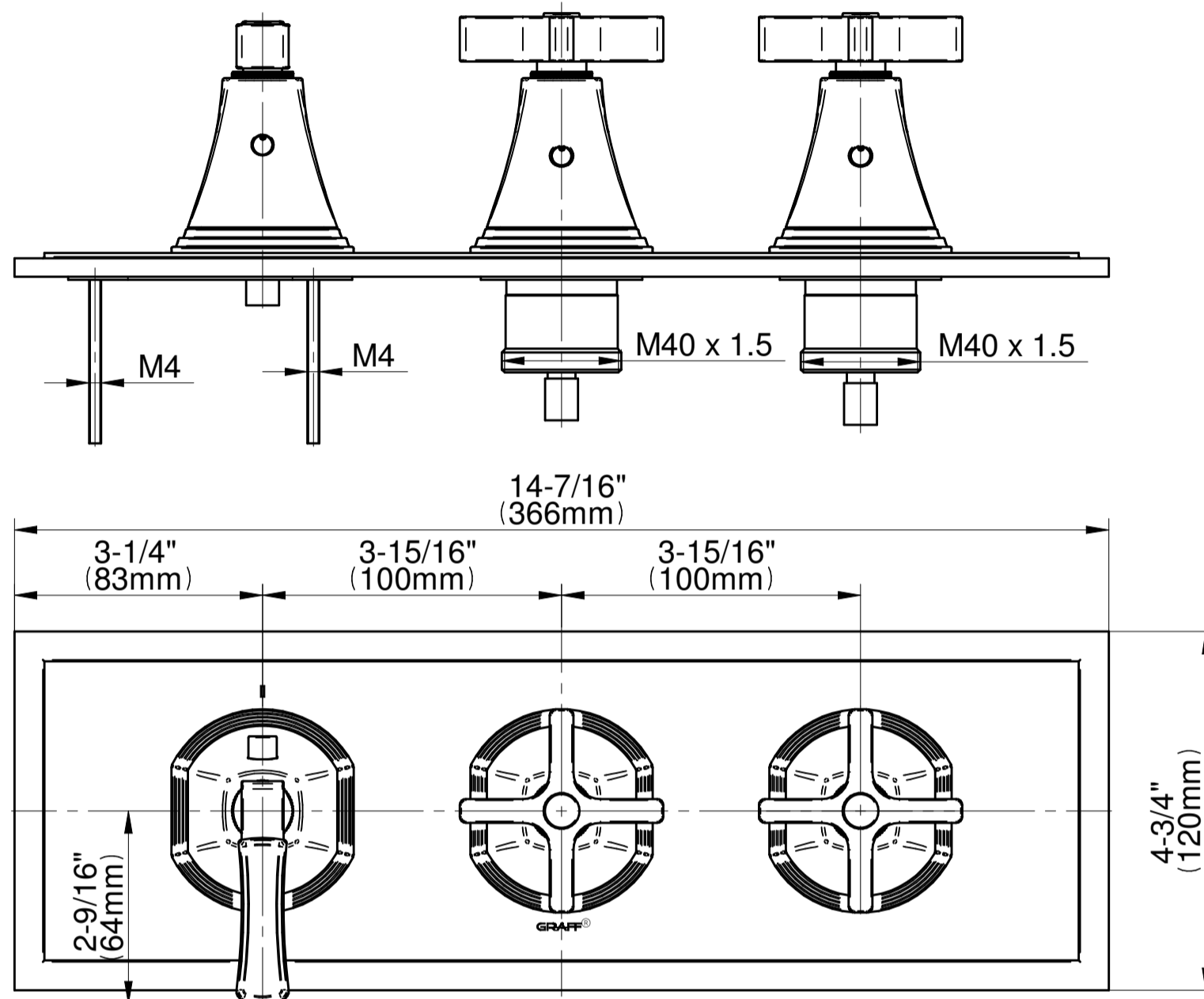


G-8078H-1L2C-T

Finezza Uno Series



GRAFF[®]
CUTTING EDGE DESIGN